



# Opus Panel

FilaSorb™ 14

acoufelt  
making quiet

## Product Detail

<b>Application</b>	Wall
<b>Composition</b>	100% polyester
<b>Material</b>	FilaSorb™
<b>Recycled content</b>	60% min
<b>Thickness</b>	14mm +/- 10%
<b>Dimensions</b>	1220 x 2800mm Custom size available upon request

## Guarantees

**Warranty against defects** 20 years\*  
**Colorfastness warranty** 20 years\*

\*conditions apply

## QuickShip

### QuickShip Rapid



QuickShip Rapid products can be despatched within **1-2 days**.

## Technical Data

<b>Fire rating</b>	AS/ISO 9705.1, Group 1
<b>Total VOC test method</b>	SCS-EC10.3-2014 v4.0 meeting standard CDPH/EHLB Standard Method v.1.2-2017, $\leq 0.5\text{mg/m}^3$
<b>Colorfastness</b>	ISO 105-B02, 6-7

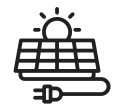
## Sustainability



Made from 60% min. recycled content



Recyclable at end-of-life



Generated using 40% solar energy

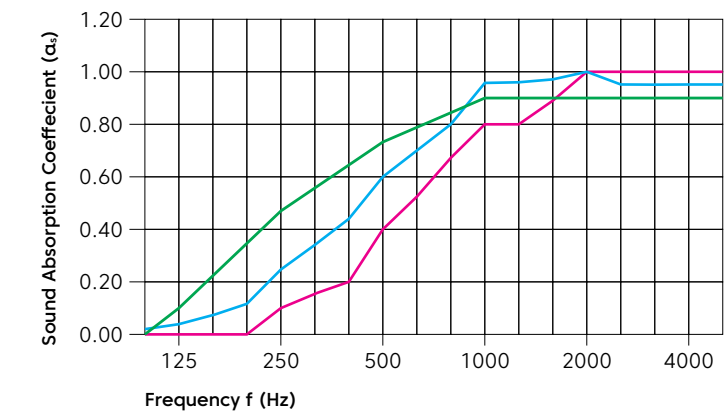


Total VOC's less than  $0.5\text{ mg/m}^3$



## Acoustic Performance

<b>Test method</b>	ISO 354-2006
<b>Results</b>	NRC 0.55 (no air gap) NRC 0.70 (20mm air gap) NRC 0.75 (50mm air gap)



Frequency (Hz)	125	250	500	1000	2000	4000	NRC
$\alpha_s$ no air gap	0.00	0.10	0.40	0.80	1.00	1.00	0.55
$\alpha_s$ 20mm air gap	0.05	0.25	0.60	0.95	1.00	0.95	0.70
$\alpha_s$ 50mm air gap	0.10	0.45	0.75	0.90	0.90	0.90	0.75

# Colorways

---



Midnight  
LRV - 3.50%



Denim  
LRV - 6.00%



Azur  
LRV - 18.00%



Periwinkle  
LRV - 36.00%



Oregano  
LRV - 8.80%



Wasabi  
LRV - 38.00%



Carrot  
LRV - 20.00%



Peach  
LRV - 29.00%



Ivory  
LRV - 40.00%



Berry  
LRV - 12.00%



Charcoal  
LRV - 5.46%



Slate  
LRV - 12.50%

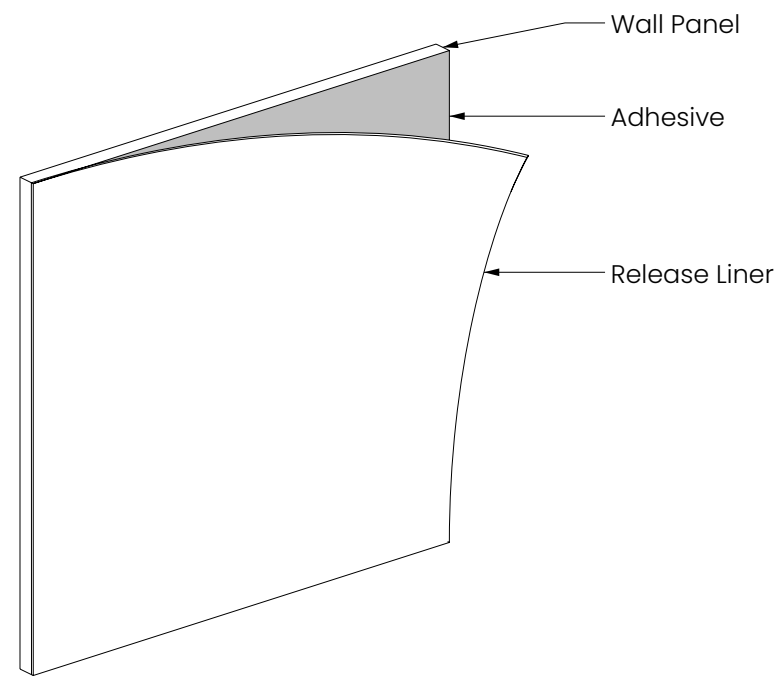


Platinum  
LRV - 42.00%

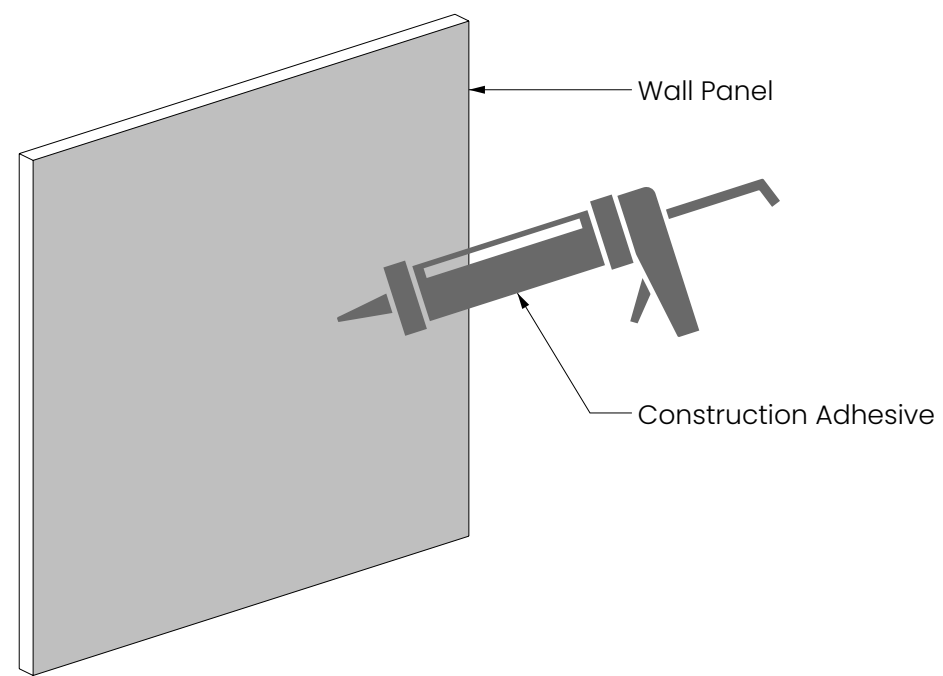


# Mounting Methods

## Adhesive Backing

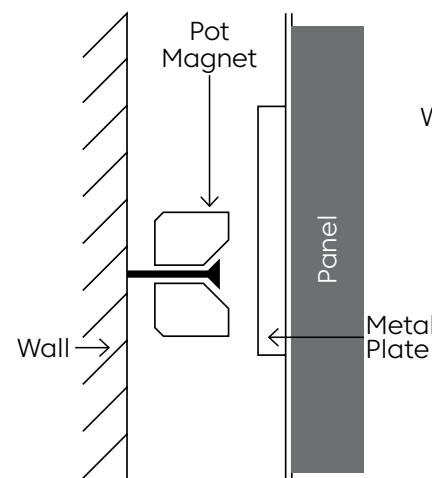


## Constructive Adhesive

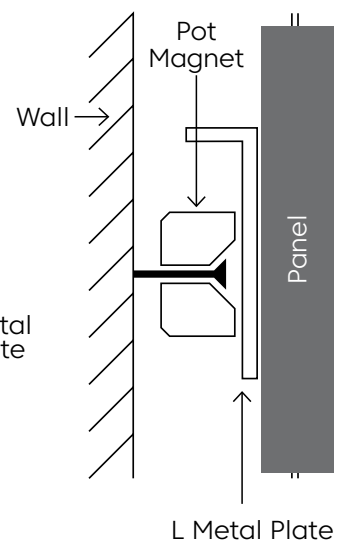


## Pot Magnet Install

### Wall Pot Magnet Install Metal Plate



### Wall Pot Magnet Install L Plate + Metal Plate



### L Plate Wall + Metal Plate Configuration

○ L Metal Plate × Metal Plate

